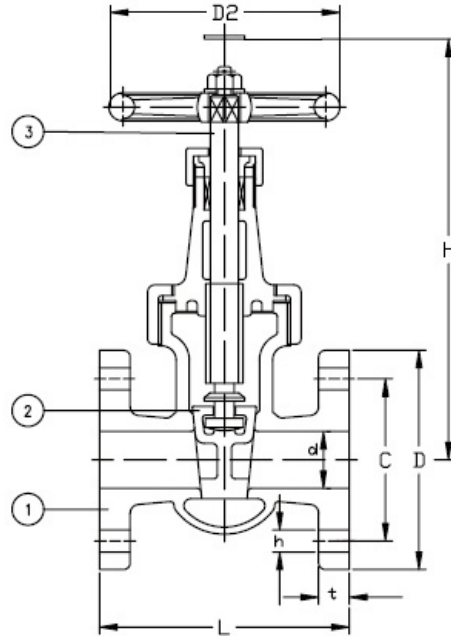




MARINE BRONZE 5K GATE VALVE - JIS F7367
MARINE BRONZE 10K GATE VALVE - JIS F7368

Manufactured in accordance to JIS F7400
 Flanges as per JIS B2220 - 5K or 10K



No.	Component	Material
1	Body	Bronze
2	Disc	Bronze
3	Stem	Brass

Nominal Pressure		5K	10K
Hydraulic Inspection	Body	10.5kg	21kg
	Seat	7.7kg	15.4kg

Type	Size	L	D	C	No.	h	t	H	D2	Kg
F7367 5K	15A	90	80	60	4	12	9	175	80	2.29
	20A	100	85	65	4	12	10	200	80	2.98
	25A	110	95	75	4	12	10	220	100	4.10
	32A	130	115	90	4	15	12	250	100	5.79
	40A	140	120	95	4	15	12	290	125	7.78
F7368 10K	15A	100	95	70	4	15	12	175	80	2.96
	20A	110	100	75	4	15	14	200	80	3.89
	25A	120	125	90	4	19	14	220	100	5.82
	32A	140	135	100	4	19	16	250	100	7.52
	40A	150	140	105	4	19	16	290	125	9.71